



**SMALL-SIZE EXPLOSIVE GAS  
MEASURING SENSOR  
MIPEX-03**



**Features**

- ☑ Ultra-low power consumption – less than 3.5 mW.
- ☑ Pellistor compatibility\*.
- ☑ Analog or combined digital+analog interface.
- ☑ Durable stainless-steel or budget plastic housing.
- ☑ Fast response time (T90 < 6 s).
- ☑ Smart sensor with embedded microcontroller returns linearized, temperature-compensated output data (-40...+60 °C).
- ☑ Industry standard size (∅20.2×16.6 mm).
- ☑ Provides intrinsically safe explosion protection level “ia”.
- ☑ Does not require metal-ceramic filters (sinters).

**Description**

MIPEX-03 is intended for automatic continuous measurement of hydrocarbons concentration in atmosphere of hazardous areas.

Sensor operating principle is based on NDIR technology, i.e. on selective absorption of LED produced infrared radiation by gas molecules.

Differential dual wavelength method allows eliminating of water vapor, optical elements contamination and other non-selective hindrances influence.

Communication interface – analog only or analog+UART.

\* See MIPEX-03 User Manual for further details.

## Technical specification

General specification	
<b>Gas sampling method:</b>	Diffusion
<b>Operating principle:</b>	Non-Dispersive Infra-Red (NDIR)
<b>Target gas</b>	CH <sub>4</sub>
	CH <sub>4</sub> /CH <sub>4</sub> +C <sub>2</sub> H <sub>6</sub>
	C <sub>3</sub> H <sub>8</sub>
<b>Operating, storage and transportation conditions:</b>	<b>Relative humidity, %</b> up to 98
	<b>Atmospheric pressure, kPa</b> 80...120
	<b>Temperature, °C</b> -40...+60
<b>Warm-up time, sec</b>	≤ 120
<b>Overall dimensions, mm</b>	ø20.2×16.6 (w/o pins)
	ø22×16.6 (w/o pins)
<b>Weight, g</b>	16.6 (housing type "1")
	16.3 (housing type "2")
	6.4 (housing type "3")
<b>Housing material</b>	Stainless steel
	Polycarbonate Lexan™

Measurement specification	
<b>Measurement range, % vol.</b>	0...1.5 (C <sub>3</sub> H <sub>8</sub> sensors)
	0...2.5 (CH <sub>4</sub> and C <sub>3</sub> H <sub>8</sub> sensors)
	0...5 (CH <sub>4</sub> sensors)
	0...100 (CH <sub>4</sub> sensors)
<b>Basic variability (+20...+25 °C)*</b>	± 0.1% vol. or ± 5% of readings (whichever is greater) for CH <sub>4</sub>
	± 0.05% vol. or ± 5% of readings (whichever is greater) for C <sub>3</sub> H <sub>8</sub>
<b>Variability of analog output (additional variability)**</b>	± 1% of measurement range or ± 2% of readings
<b>Response time (T90), sec</b>	≤ 5 (housing type "2")
	≤ 20 (housing types "1" and "3")
<b>Response time (T90) with dust filter applied, sec</b>	≤ 10 (housing type "2")
	≤ 30 (housing types "1" and "3")

Electrical specification	
<b>Operating supply voltage, VDC (min...max)</b>	+3.0...+5.0
<b>Communication interface</b>	analog output
	UART and analog output
<b>Average current, mA</b>	≤ 1.1

\* Variability in whole operating temperature range for any sensor modification presented below.

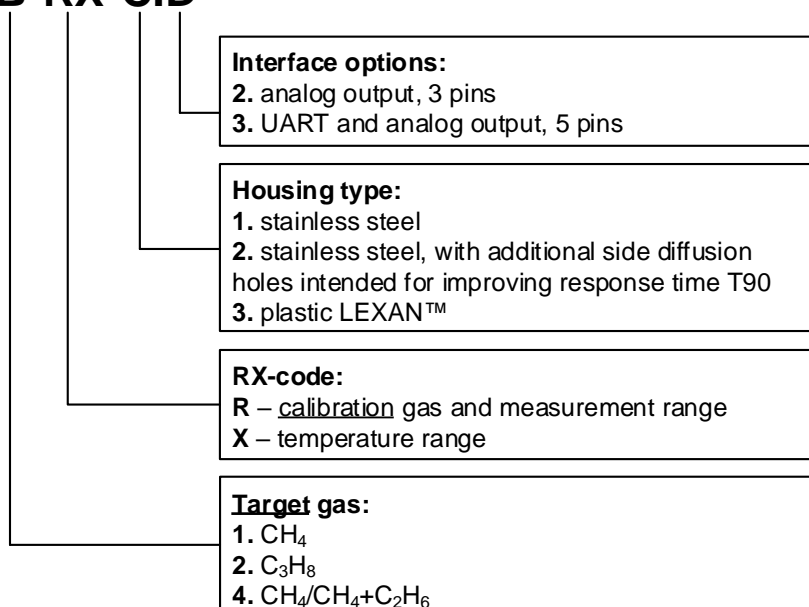
\*\* Additional variability of analog output is caused by DAC resolution. Thus, when analog output is used it is necessary to add variability of analog output value to basic variability value whether UART is available or not.

Calibration gas	Readings variability within a temperature range	Additional variability due to pressure	Additional variability due to humidity
CH <sub>4</sub>	± 0.1% vol. or ± 5% of readings (whichever is greater) within the range of +20...+25 °C;	± 0.2% vol. or ± 30% of readings (whichever is greater) at 100 kPa (test: 80 kPa, 100 kPa, 120 kPa)	± 0.2% vol. or ± 15% of readings (whichever is greater) at 40 °C (test: 20% RH, 50% RH, 90% RH)
	± 0.2% vol. or ± 10% of readings (whichever is greater) within the range of -10...+20 °C and +25...+40 °C;		
	± 0.4% vol. or ± 20% of readings (whichever is greater) within the range of -40...-10 °C and +40...+60 °C.		
C <sub>3</sub> H <sub>8</sub>	± 0.05% vol. or ± 5% of readings (whichever is greater) within the range of +20...+25 °C;	± 0.1% vol. or ± 30% of readings (whichever is greater) at 100 kPa (test: 80 kPa, 100 kPa, 120 kPa)	± 0.1% vol. or ± 15% of readings (whichever is greater) at 40 °C (test: 20% RH, 50% RH, 90% RH)
	± 0.1% vol. or ± 10% of readings (whichever is greater) within the range of -10...+20 °C and +25...+40 °C;		
	± 0.2% vol. or ± 20% of readings (whichever is greater) within the range of -40...-10 °C and +40...+60 °C.		

## Ordering info

Part number structure:

### MIPEX-03-B-RX-C.D

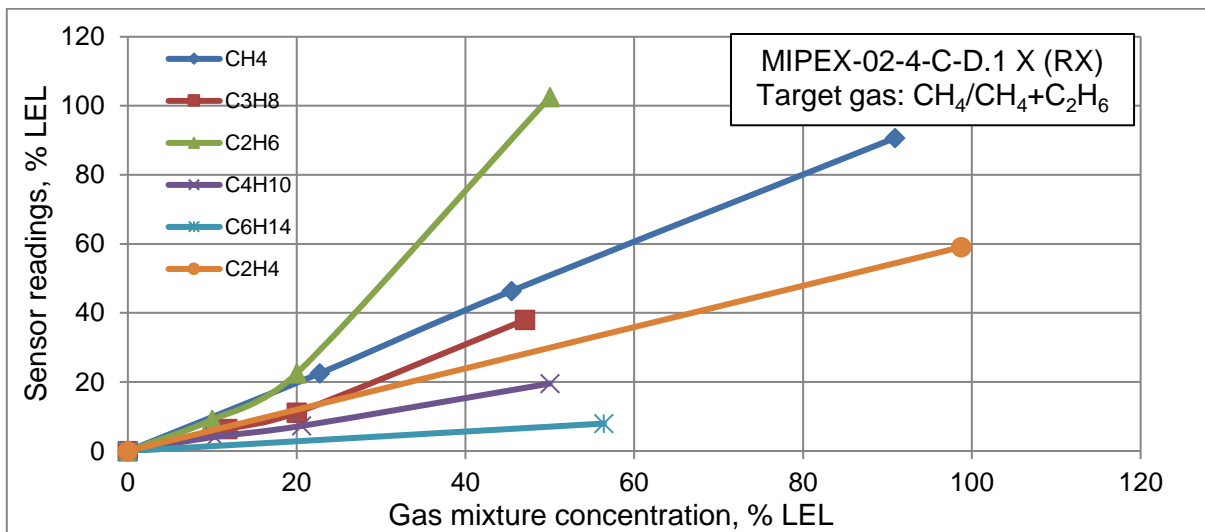
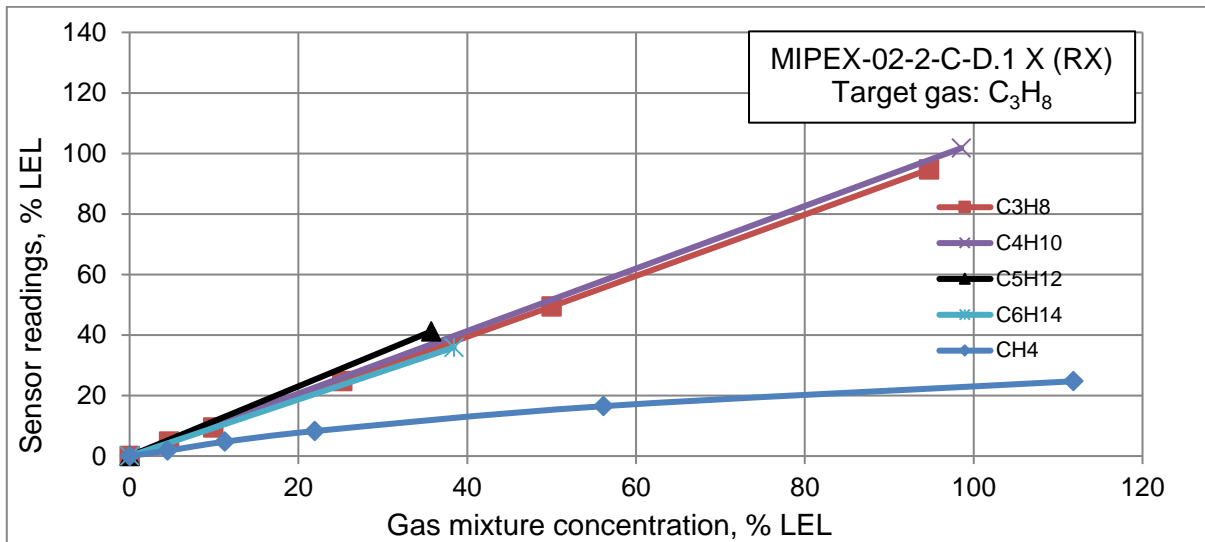
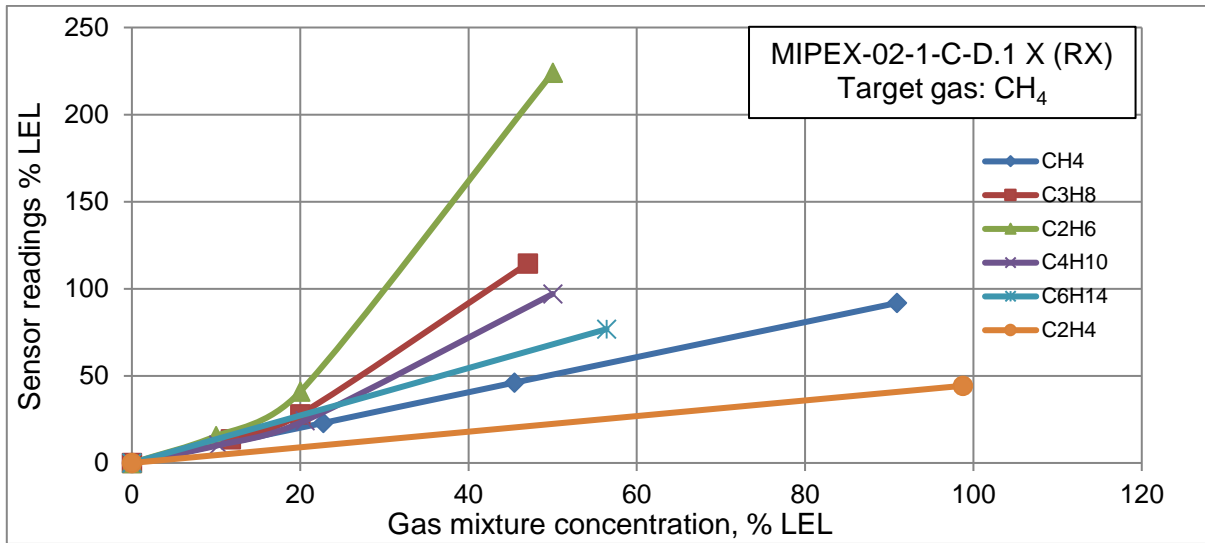


Term **target gas** refers to LED and photodiode spectral range which is adjusted for best detection of a certain gas, while term **calibration gas** refers to gas mixture used for sensor calibration.

RX-code refers to measurement range, calibration gas and temperature range.

Part number	Target gas	Calibration gas	Meas. range, % vol.	Temp. range, °C	RX-code				
MIPEX-03-1-00-C.D	CH <sub>4</sub>	CH <sub>4</sub>	0...2.5	-10...+40	00				
MIPEX-03-1-10-C.D			0...5		10				
MIPEX-03-1-20-C.D			0...100		20				
MIPEX-03-1-01-C.D			CH <sub>4</sub>	CH <sub>4</sub>	0...2.5	-40...+60	01		
MIPEX-03-1-11-C.D					0...5		11		
MIPEX-03-1-21-C.D					0...100		21		
MIPEX-03-1-02-C.D			CH <sub>4</sub>	CH <sub>4</sub>	0...2.5	-20...+50	02		
MIPEX-03-1-12-C.D					0...5		12		
MIPEX-03-1-22-C.D					0...100		22		
MIPEX-03-1-61-C.D					C <sub>3</sub> H <sub>8</sub>	C <sub>3</sub> H <sub>8</sub>	0...1.5	-40...+60	61
MIPEX-03-1-71-C.D							0...2.5		71
MIPEX-03-1-62-C.D							C <sub>3</sub> H <sub>8</sub>	C <sub>3</sub> H <sub>8</sub>	0...1.5
MIPEX-03-1-72-C.D			0...2.5	72					
MIPEX-03-2-61-C.D			C <sub>3</sub> H <sub>8</sub>	C <sub>3</sub> H <sub>8</sub>	0...1.5	-40...+60	61		
MIPEX-03-2-71-C.D	0...2.5	71							
MIPEX-03-2-62-C.D	C <sub>3</sub> H <sub>8</sub>	C <sub>3</sub> H <sub>8</sub>			0...1.5	-20...+50	62		
MIPEX-03-2-72-C.D					0...2.5		72		
MIPEX-03-4-00-C.D	CH <sub>4</sub> / CH <sub>4</sub> +C <sub>2</sub> H <sub>6</sub>	CH <sub>4</sub>	0...2.5	-10...+40	00				
MIPEX-03-4-10-C.D			0...5		10				
MIPEX-03-4-20-C.D			0...100		20				
MIPEX-03-4-01-C.D			CH <sub>4</sub>	CH <sub>4</sub>	0...2.5	-40...+60	01		
MIPEX-03-4-11-C.D					0...5		11		
MIPEX-03-4-21-C.D					0...100		21		
MIPEX-03-4-02-C.D			CH <sub>4</sub> / CH <sub>4</sub> +C <sub>2</sub> H <sub>6</sub>	CH <sub>4</sub>	0...2.5	-20...+50	02		
MIPEX-03-4-12-C.D					0...5		12		
MIPEX-03-4-22-C.D					0...100		22		

## Typical sensor cross-sensitivity to hydrocarbons and accuracy



## Current consumption

Average current consumption is not more than 1.1 mA at request rate less than 1 Hz.

## Intrinsic safety

Sensor complies with the international standards listed below.

### IEC/EN 60079-0, IEC/EN 60079-11:

- Explosion protection level – “ia”;
- Hazardous area class (Electrical equipment group) – “I” and “IIC”;
- Intrinsic safety parameters:  $P_i = 0.13\text{ W}$ ,  $U_i = 5.0\text{ V}$ ,  $I_i = 200\text{ mA}$ ,  $C_i = 26\text{ }\mu\text{F}$ ,  $L_i = 0\text{ mH}$ .

### UL913, CAN/CSA-C22.2 No. 157-92:

- Class I, Division 1, Group A, B, C, D.
- Intrinsic safety parameters:  $P_{\text{max}} = 0.13\text{ W}$ ,  $U_{\text{max}} = 5.0\text{ V}$ ,  $I_{\text{max}} = 200\text{ mA}$ ,  $C_i = 26\text{ }\mu\text{F}$ ,  $L_i = 0\text{ mH}$ .

## Handling precautions

Maximum allowable pressure for housing types “1” and “2”: on the central part of sensor reflecting cover or on sensor side surface – 2 MPa, on sensor upper edge – 100 MPa.

Maximum allowable pressure for housing type “3”: on the central part of sensor reflecting cover or to sensor side surface – 20 kPa, on sensor upper edge – 2 MPa.

Sensor is not intended to measure hydrocarbons contained in fluids.

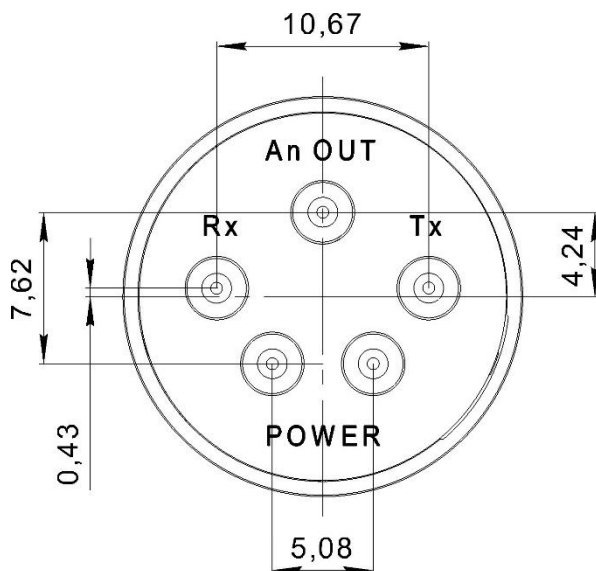
Sensor housing type “3” may accumulate an electrostatic charge. Thus, there is risk of electrostatic discharge. Clean only using a damp cloth.

Gas holes of sensor should be protected against ingress of dust and sprayed materials.

Sensor must be mounted using sockets only, as soldering the pins may damage sensor.

There is no risk of pollution and negative impact on human health. Sensor does not contain any harmful substances that may be released during its normal operation.

## Sensor pinout (bottom side)



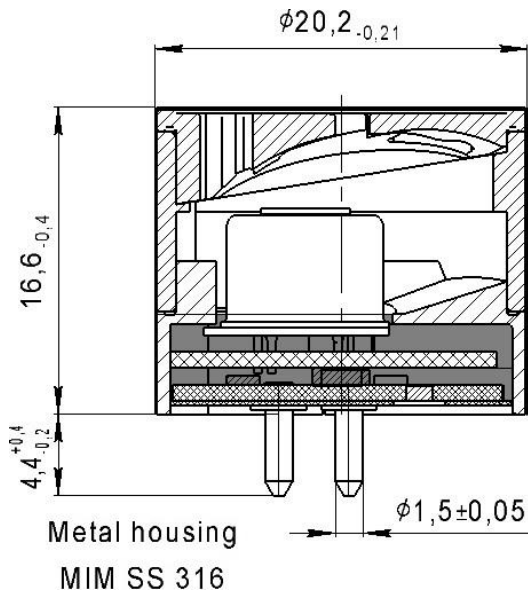
Pin	Purpose
Tx	UART, TxD output (if available)
Rx	UART, RxD input (if available)
POWER	Power supply
POWER	Power supply
An OUT	Analog output

For all MIPEX-03 modifications polarity of power supply does not matter, but one of the power pins must always be connected to GND.

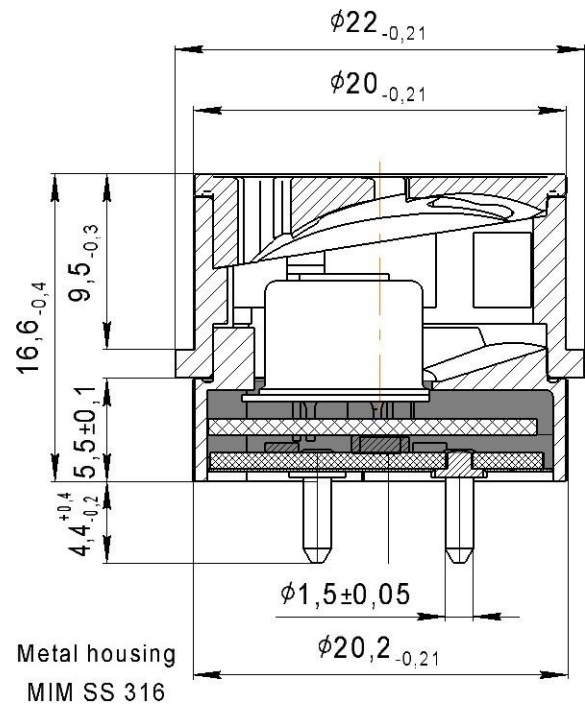
## Outline

All dimensions are in millimeters.

### Type "1"



### Type "2"



### Type "3"

