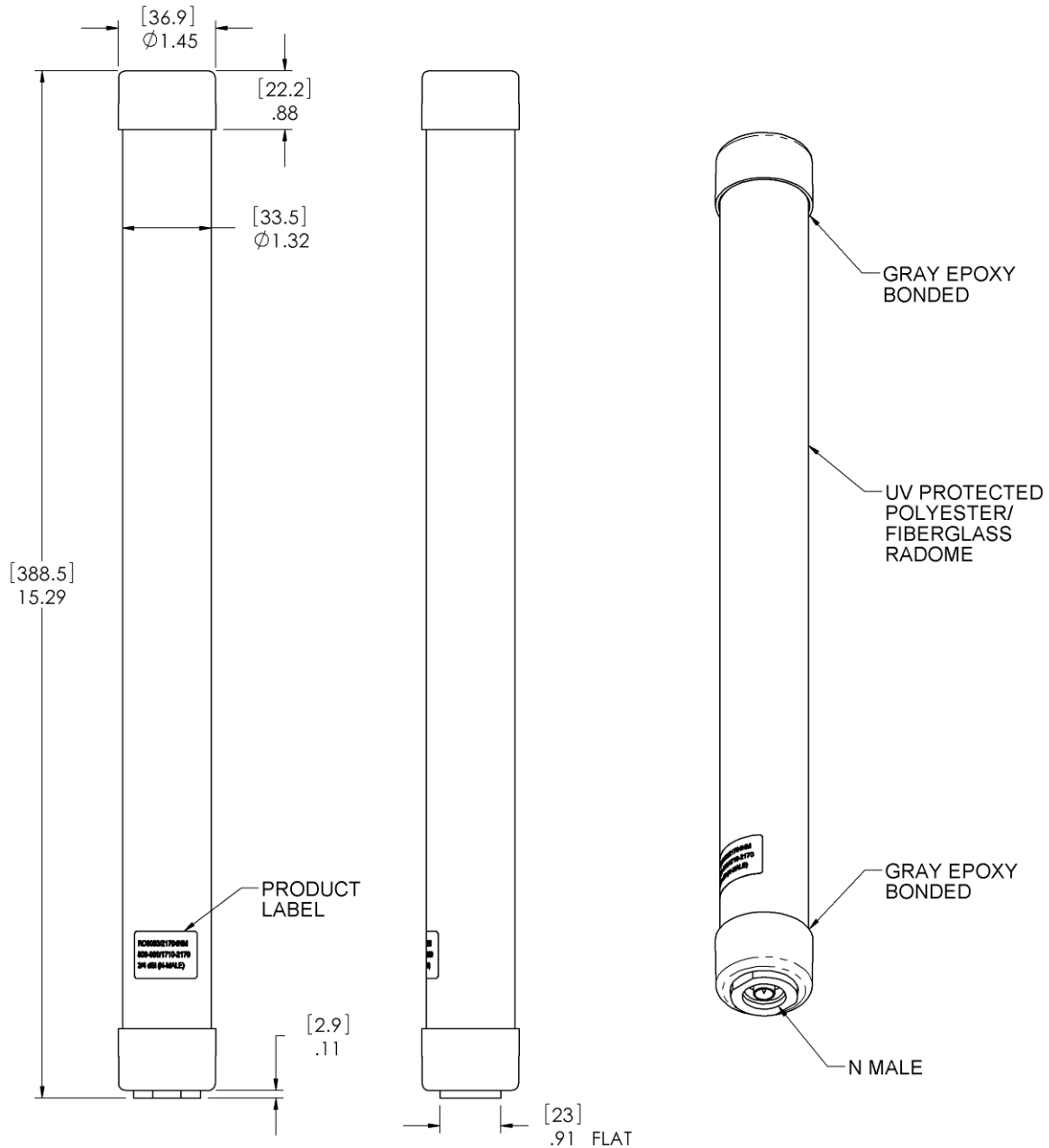


OMNIDIRECTIONAL ANTENNA

RO8063/21704NM

806-960/1710-2170 MHz RADOME OMNI 3-4 dBi

Series : ANTENNA



All dimensions are in inches (mm)

Issue: 1214

In the effort to improve our products, we reserve the right to make changes judged to be necessary.

CONFIDENTIAL AND PROPRIETARY INFORMATION

This document contains confidential and proprietary information of Pulse Electronics, Inc. (Pulse) and is protected by copyright, trade secret and other state and federal laws. Its receipt or possession does not convey any rights to reproduce, disclose its contents, or to manufacture, use or sell anything it may describe. Reproduction, disclosure or use without specific written authorization of Pulse is strictly forbidden



OMNIDIRECTIONAL ANTENNA

RO8063/21704NM

806-960/1710-2170 MHz RADOME OMNI 3-4 dBi

Series : ANTENNA

ELECTRICAL SPECIFICATIONS

Frequency	806-960/1710-2170	MHz
Nominal Impedance	50	Ω
VSWR	2.5:1	Max
Gain – 806-960	3.0	dBi ± 1 dB
Gain – 1710-2170	4.0	dBi ± 1 dB
Radiation Pattern		
3 dB beamwidth		
Horizontal Plane	Omni	
Vertical Plane - 806-960	53	° Avg
Vertical Plane – 1710-2170	39	° Avg
Polarization:	Vertical	
Power withstanding	20	W
Connector type	N male	

MECHANICAL SPECIFICATIONS

Plastic radome	Pultruded polyester/fiberglass, UV protected
Plastic cap	Luran ASA
Color	White
Ingress Protection	IP67
Weight	231 g
Wind-loading	125 Mph
Overall length	See page 1 INCHES

ENVIRONMENTAL SPECIFICATIONS

Operating temperature	-40/+85 ° C
-----------------------	-------------

Issue: 1214

In the effort to improve our products, we reserve the right to make changes judged to be necessary.

CONFIDENTIAL AND PROPRIETARY INFORMATION

This document contains confidential and proprietary information of Pulse Electronics, Inc. (Pulse) and is protected by copyright, trade secret and other state and federal laws. Its receipt or possession does not convey any rights to reproduce, disclose its contents, or to manufacture, use or sell anything it may describe. Reproduction, disclosure or use without specific written authorization of Pulse is strictly forbidden



OMNIDIRECTIONAL ANTENNA

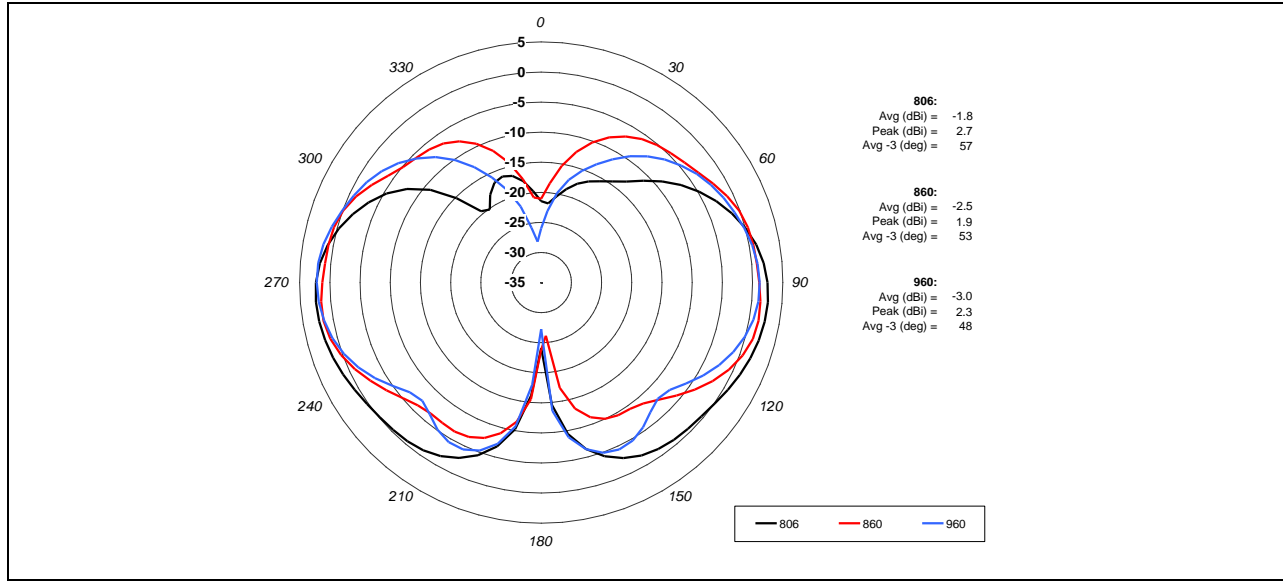
806-960/1710-2170 MHz RADOME OMNI 3-4 dBi

RO8063/21704NM

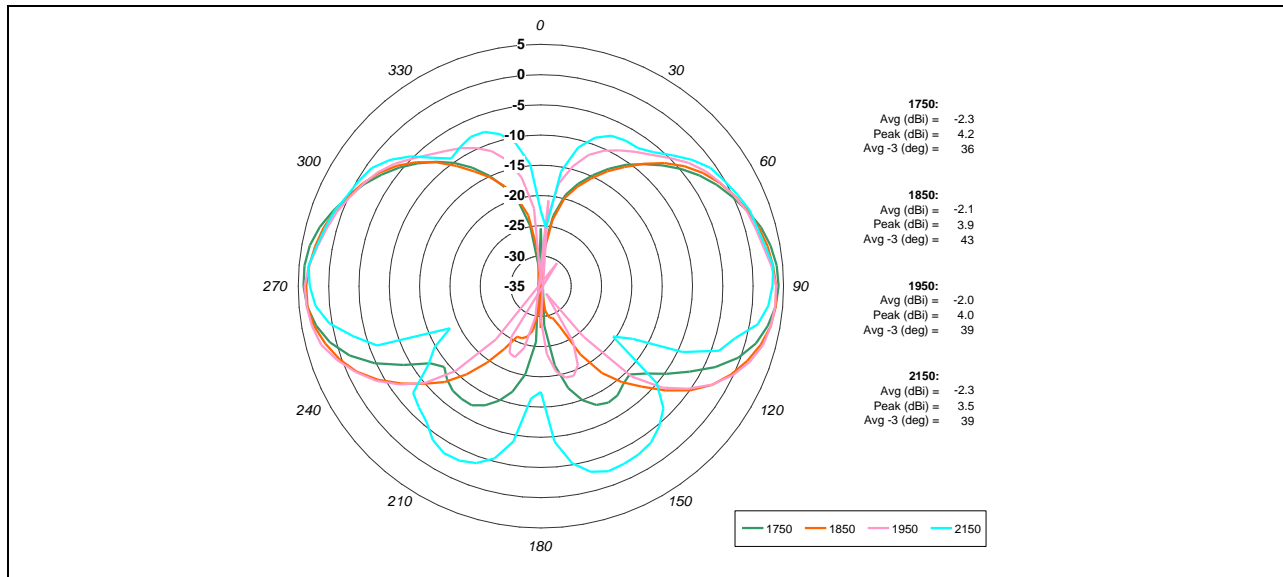
Series : ANTENNA

Charts

Vertical plane 806-960



Vertical plane 1710-2170



Issue: 1214

In the effort to improve our products, we reserve the right to make changes judged to be necessary.

CONFIDENTIAL AND PROPRIETARY INFORMATION

This document contains confidential and proprietary information of Pulse Electronics, Inc. (Pulse) and is protected by copyright, trade secret and other state and federal laws. Its receipt or possession does not convey any rights to reproduce, disclose its contents, or to manufacture, use or sell anything it may describe. Reproduction, disclosure or use without specific written authorization of Pulse is strictly forbidden



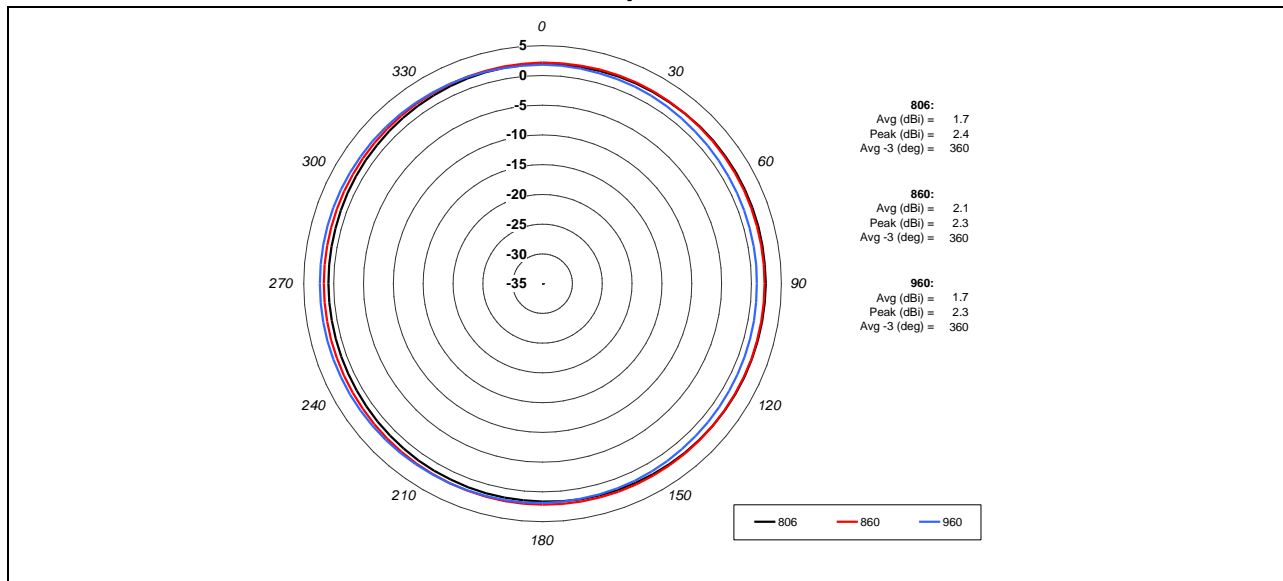
OMNIDIRECTIONAL ANTENNA

RO8063/21704NM

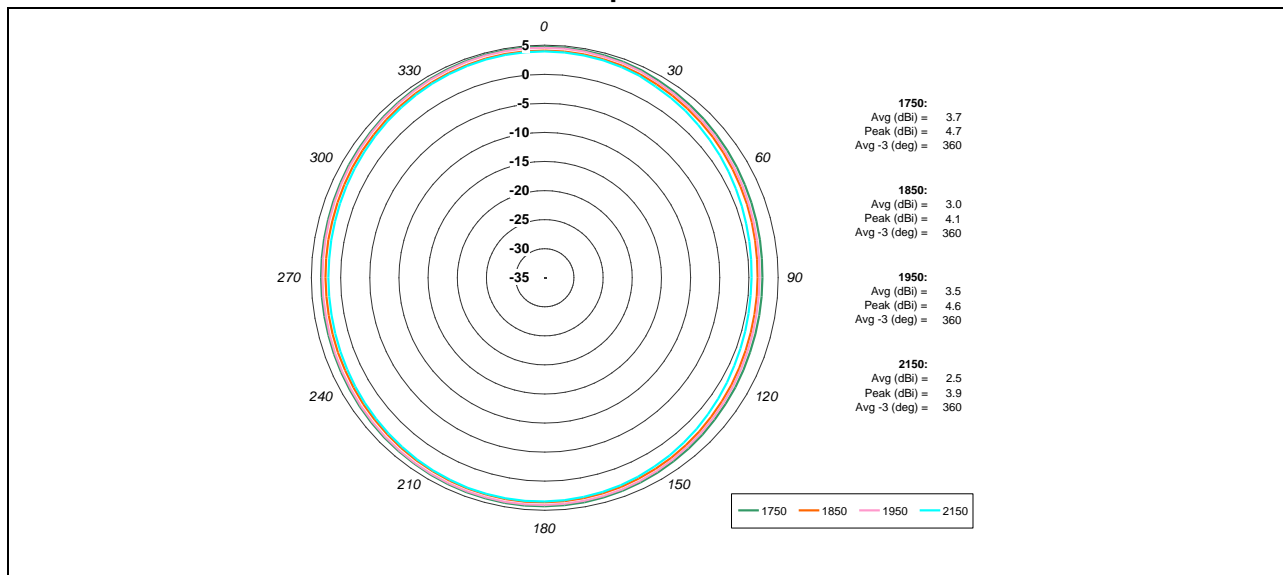
806-960/1710-2170 MHz RADOME OMNI 3-4 dBi

Series : ANTENNA

Horizontal plane 806-960



Horizontal plane 1710-2170



Issue: 1214

In the effort to improve our products, we reserve the right to make changes judged to be necessary.

CONFIDENTIAL AND PROPRIETARY INFORMATION

This document contains confidential and proprietary information of Pulse Electronics, Inc. (Pulse) and is protected by copyright, trade secret and other state and federal laws. Its receipt or possession does not convey any rights to reproduce, disclose its contents, or to manufacture, use or sell anything it may describe. Reproduction, disclosure or use without specific written authorization of Pulse is strictly forbidden



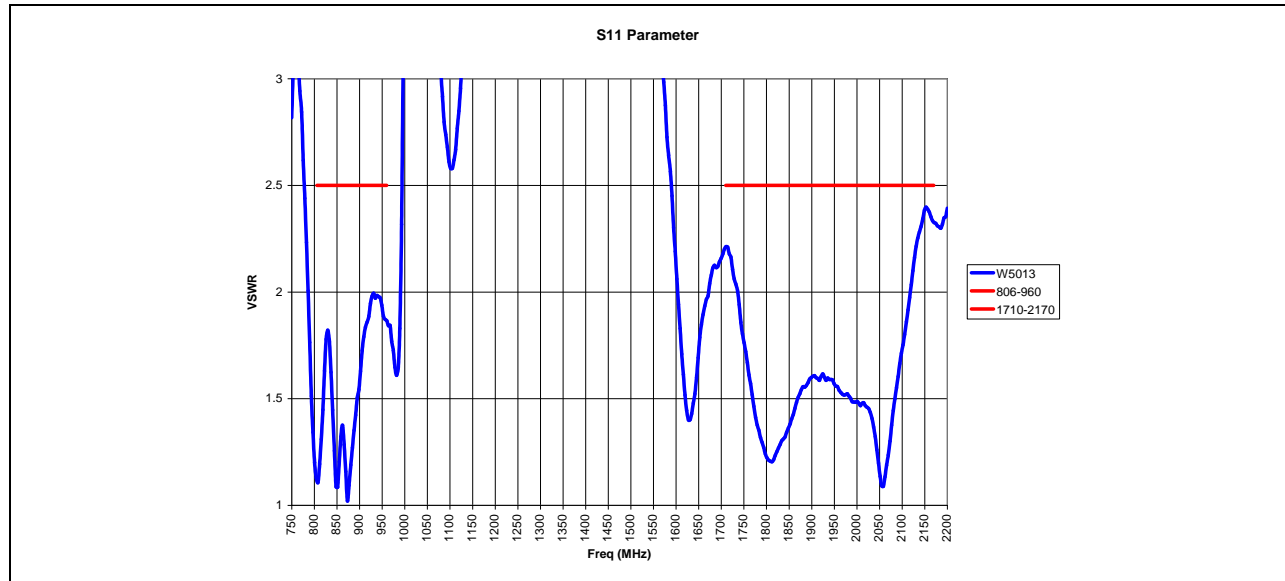
OMNIDIRECTIONAL ANTENNA

806-960/1710-2170 MHz RADOME OMNI 3-4 dBi

RO8063/21704NM

Series : ANTENNA

VSWR



Issue: 1214

In the effort to improve our products, we reserve the right to make changes judged to be necessary.

CONFIDENTIAL AND PROPRIETARY INFORMATION

This document contains confidential and proprietary information of Pulse Electronics, Inc. (Pulse) and is protected by copyright, trade secret and other state and federal laws. Its receipt or possession does not convey any rights to reproduce, disclose its contents, or to manufacture, use or sell anything it may describe. Reproduction, disclosure or use without specific written authorization of Pulse is strictly forbidden

